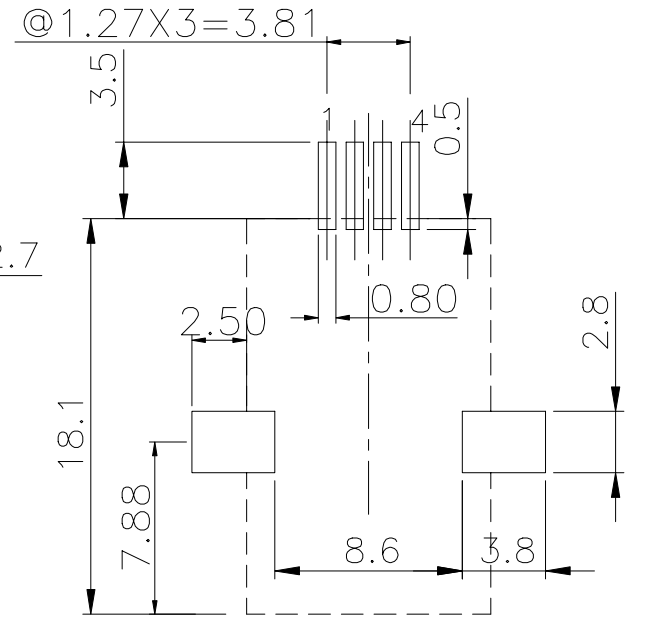
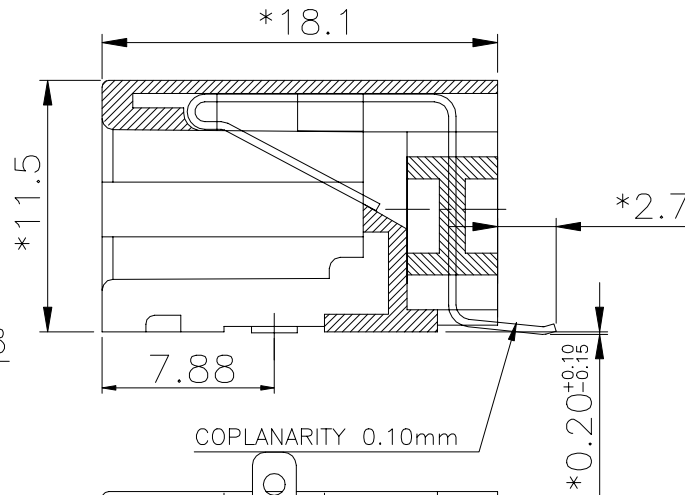
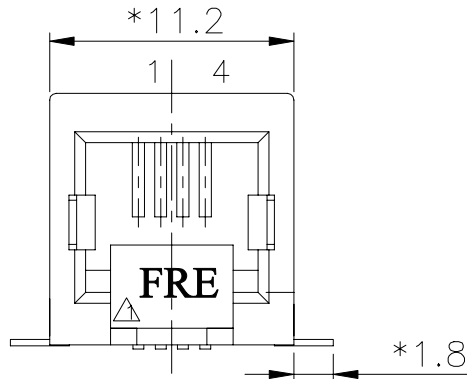


REVISION RECORD				
REV	ECO	DESCRIPTION	DRFT	CHKD
△		MODIFY DRAWING DIM	ANKUE	
			08/08/06	



PC Board Layout Component Side Shown

NOTES:

ELECTRICAL:

1. VOLTAGE RATING : 125 VAC RMS.
2. CURRENT RATING : 1.5 AMP.
3. CONTACT RESISTANCE : 35 MILLIOHMS MAX.
4. INSULATION RESISTANCE: 1000 MEGOHMS MIN @ 500 VDC.
5. DIELECTRIC STRENGTH : 1000 VAC RMS 60Hz, 1MIN.

MECHANICAL:

- △ 1. HOUSING MATERIAL : NYLON+GF30% UL94V-0./COLOR:BLACK
2. CONTACT MATERIAL : PHOSPHOR BRONZE t=0.35mm.
3. PLATING : GOLD PLATING OVER NICKEL.
4. OPERATING LIFE : 750 CYCLES MIN.
5. PCB RETENTION POST-SOLDER: 10 LBS MIN.

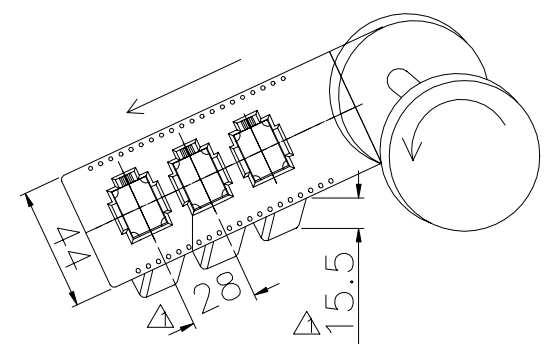
ENVIRONMENTAL:

1. STORAGE : -40°C TO +85°C.
2. OPERATION: -40°C TO +85°C.
- △ 3. IR REFLOW PEAK SOLDERING TEMPERATURE: 255°C TO 265°C 5-10 SECONDS.
- △ 4. RoHS COMPLIANT.


MATES WITH MODULAR PLUG CONFORMING TO FCC PART 68, SUBPART F.

ROHS PART NUMBER: E5344-HX05YX-L

- 1- 3U"
- 3- 15U"
- 5- 50U"
- T- W/ FRE LOGO
- H- W/O LOGO



DETACHED LISTS	← MM (INCH) →		DFTO CARROL	DATE 11/10/05
	TOLERANCES EXCEPT AS NOTED		CHKD ASHELLY	DATE 2006/8/8
	MM		MFO	DATE
	.0 ± 0.2	±	APPVL LUSHENG	DATE 2006/8/8
	.00 ± 0.15	±		
				MATERIAL :
				QT'Y :
				FINISH :
				SCALE :
				THIRD ANGLE PROJECTION

 Pulse A TECHNOLOGY COMPANY		RoHS Compliant	
FULL RISE ELECTRONIC CO., LTD			
TITLE			
SIDE ENTRY PCB JACK(SMT)4P			
DRAWING NO. GE533057-LA		SIZE	REV
/PART NO. SEE NOTE		A3	1
DO NOT SCALE DRAWING			SHEET 1 OF 1